

clamp connection diaphragm seal



74-06

Autorization NO. 1599



Diaphragm seals are designed to isolate the sensing element of pressure gauges and pressure switches from process fluids that may be corrosive, viscous, sedimentous and/or with a high temperature. The diaphragm is welded to the upper body, to ensure separation of the filling fluid from the process medium. Faced diaphragm position enables deep cleaning of the surface while the quick-connection Clamp enables frequent removal from the process during sterilization and cleaning operations, a common requirement in the food processing industry.

4.ALI.4.---- - MGS9/AL

Design: 74-06 SSI.

Working pressure: from 0...15 to 0...600 psi (from 0...1 to 0...40 bar), as from RANGE table .

Process temperature: -4...+212°F (-20°C...+100°C);
Max 284°F (140 °C) for 30 minutes during cleaning stage (C.I.P.) ¹ and sterilization (S.I.P) ².

Accuracy ³: (add to instrument accuracy) ±0,5% max for direct mounting.

Diaphragm: welded, 4 - AISI 316L st.st.

Process connection : 4 - AISI 316 st.st. with finishing Ra ≤0,76 μm (welded parts included), as per ASME BPE SF3.

Filling liquid: mineral oil (FDA approved)for food industry.

4.ALI.4.TA3- - MGS9/AL - 150°C

Process temperature: -4...+302°F (-20°C...+150°C)

Other features: as Standard Model.

1) C.I.P. = Cleaned In Place

2) S.I.P. = Steamed In Place - available for ranges > 1bar when steam pressure does not exceed the max admissible pressure on the connected instrument

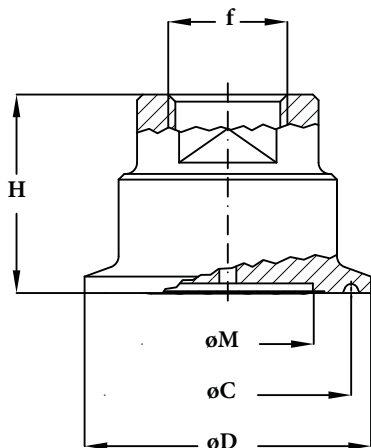
3) at +68°F (20 °C) process fluid temperature, or state temperature when ordering.

RANGES (1)

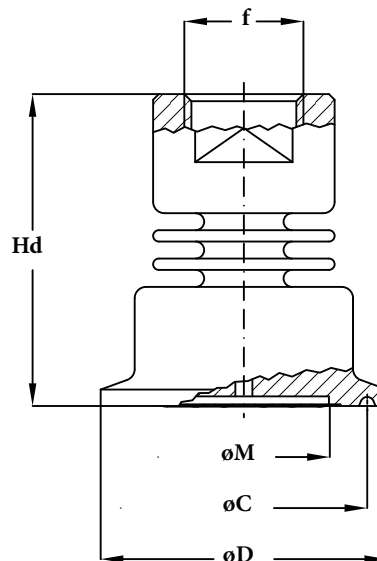
Pressure gauges DS	1" Clamp	1" 1/2 Clamp	2" Clamp	2" 1/2 Clamp	3" Clamp
2.5" (63mm)	0...100/0...600 psi (0...6/0...40 bar)	0...60/0...600 psi (0...4/0...40 bar)			
4" (100mm)		0...60/0...600 psi (0...4/0...40 bar)	0...30/0...600 psi (0...1,6/0...40 bar)	0...15/0...600 psi (0...1/0...40 bar)	0...15/0...400 psi (0...1/0...25 bar)
6" (150mm)		0...100/0...600 psi (0...6/0...40 bar)	0...30/0...600 psi (0...2,5/0...40 bar)	0...30/0...600 psi (0...1,6/0...40 bar)	0...30/0...400 psi (0...1,6/0...25 bar)

(1) Vacuum and compound are available upon request

MGS9/AL - STD
cod. ----



MGS9/AL - 150°C
cod. TA3-



DN Clamp	Code	C	H	Hd	D	f	M
1"	6T-	1,71"	1,18"	1,18"	1,98"	21F - G 1/4 A	0,78"
1" 1/2	AT-	1,71"	1,37"	1,37"	1,98"	21F - G 1/4 A 41F - G 1/2 A	1,18"
2"	BT-	2,22"	1,37"	1,37"	2,51"	41F - G 1/2 A	1,57"
2" 1/2	DT-	2,77"	1,37"	1,37"	3,05"	41F - G 1/2 A	1,96"
3"	ET-	3,29"	1,37"	1,37"	3,58"	41F - G 1/2 A	2,56"

dimensions : inches

ASSEMBLING

D - All diaphragm seals are mounted directly on the instruments.

All diaphragm seals are mounted on the instruments and fixed by an aluminium protection label.

FINISHING

0 - Ra ≤ 0,76 µm, as per ASME BPE SF1	(1)
A - Ra ≤ 0,51 µm, as per ASME BPE SF1	(1)
B - Ra ≤ 0,38 µm, as per ASME BPE SF4 - electropolished	(1)

(1) welded parts included

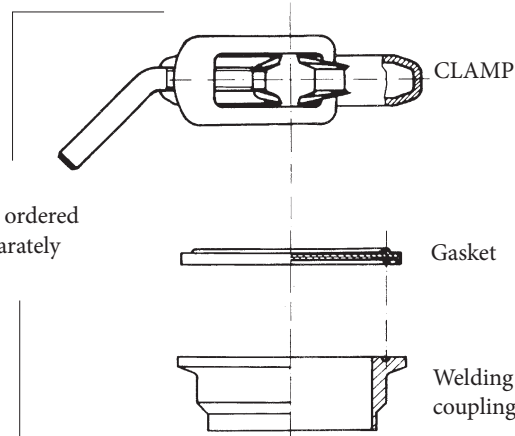
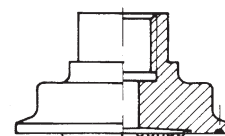
OPTIONS

C05 - Helium Test
P04 - Dye penetrant test

"HOW TO ORDER" SEQUENCE

Section/Model/Connection material/Version/Diaphragm material/Process Connection/Finishing/Instrument connection/Assembling/Options

4 ALI 4 ---- 4 6T-...ET- 0 21F - G 1/4 F D C05...P04
TA3- 41F - G 1/2 F
B



To be ordered separately